

Provide relaxation for your guests and a revenue stream for your property



FIRST CLASS SEATS™

VENDED MESSAGE CHAIRS

*smarter*carte

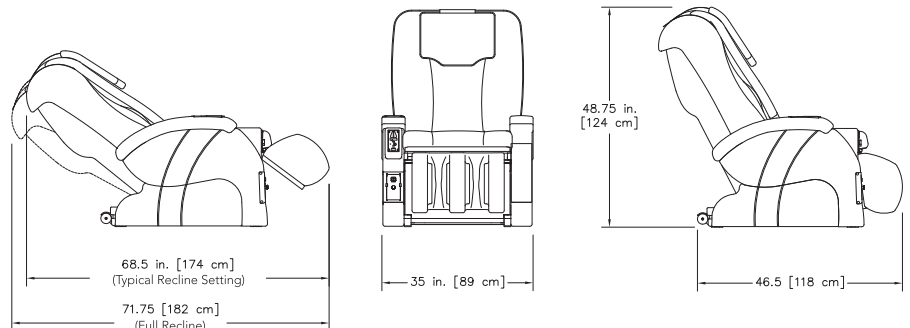


VENDED MESSAGE CHAIRS

- Provides three minutes of deep-tissue Shiatsu massage therapy for \$1 and bonus minutes for additional dollars. Kneading, tapping, and rolling across back, and shoulders can be varied in strength by the customer with a control panel.
- Legs are massaged by inflatable cushions.
- Heavy-duty motors, components and design guarantee optimum performance in a commercial environment.
- Chairs are upholstered with a soft and durable leather-like material that wears well and cleans easily.
- Parts are easily replaceable to keep the chair looking fresh.
- Payment vaults are inside the arm to allow for flexible configuration to fit any space.



Customize your massage to target specific areas and modify massage intensity!



SPECIFICATIONS

Power	120VAC 60Hz
Construction	Robust design, heavy-duty motor and components; brown or gray leather-like upholstery.
Weight	180 lbs. (82 kg)

NORTH AMERICA www.smartecarte.com

4455 White Bear Parkway, St. Paul, MN 55110-7641
Phone: 651-429-3614 • 1-800-838-1176 (toll-free)
Fax: 651-426-0927 • info@smartecarte.com

AUSTRALIA AND NEW ZEALAND www.smartecarte.com.au

PO Box 5054, Melbourne Airport, Victoria 3045, Australia
Phone: +61 (3) 9338 3111
Fax: +61 (3) 9338 3316 • sales@smartecarte.com.au

smartecarte